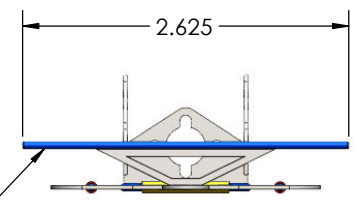
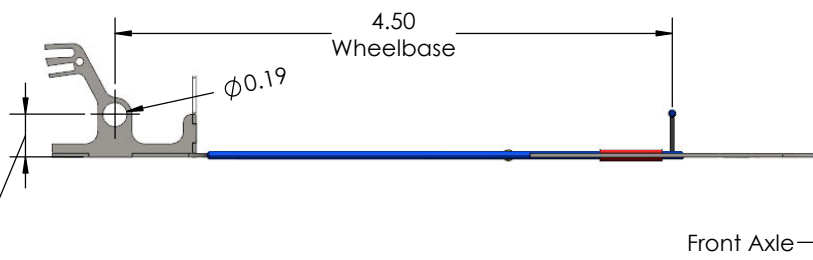
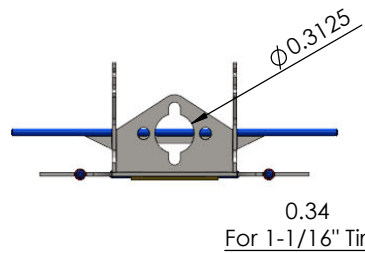
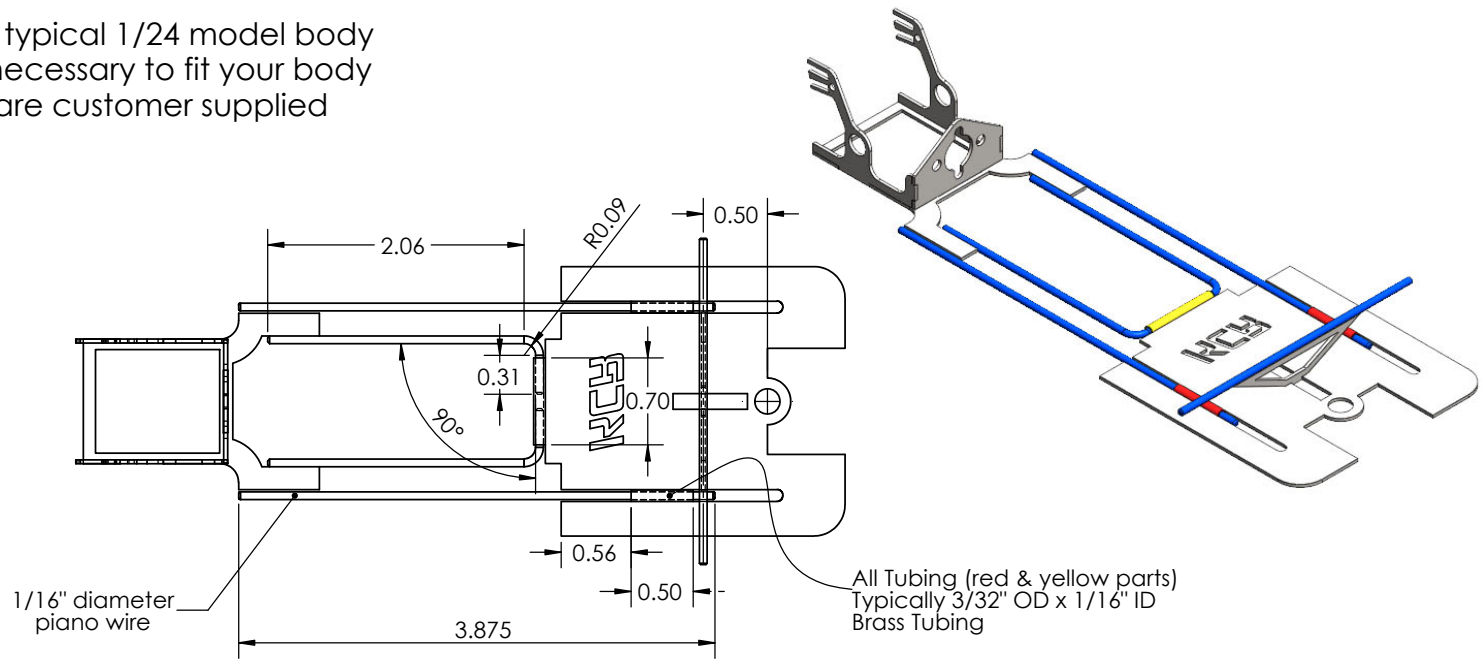


These dimensions are for a typical 1/24 model body and adjustments may be necessary to fit your body
 Parts in blue, red & yellow are customer supplied



KC RACING
 Hudsonville, Michigan

THIS PRINT IS PROVIDED ON A RESTRICTED BASIS AND IS NOT TO BE USED IN ANY MANNER DETRIMENTAL TO THE INTERESTS OF KC RACING

NAME
 Typical Slip Joint Chassis Dimensions

| | | |
|--------------|---------------------|-----------------|
| DRAWN KCL | DATE 9/24/22 | APPROVED |
| SIZE B | NUMBER KCR15-DIM | SHEET 1 OF 1 |