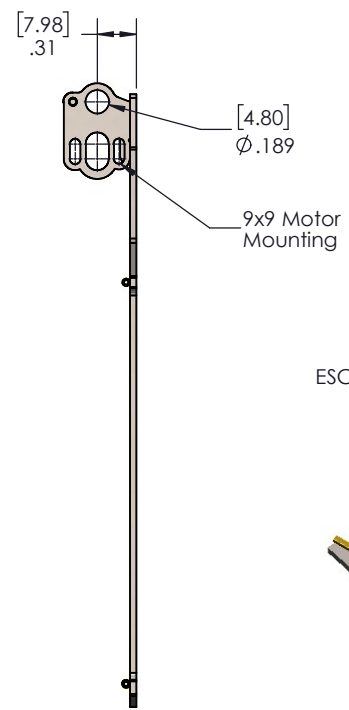
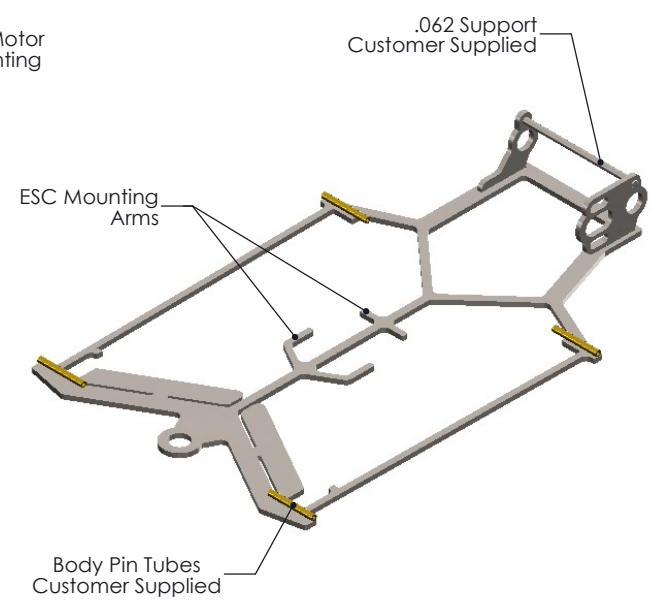


Top View



Right View



Front View

Typical Components  
 KCR-1106.4500kv motor  
 Gearing 13x37 64P  
 .760" diameter tires

		JAMESTOWN, MICHIGAN USA	
<small>The contents of this document are provided on a restricted basis and are not to be used in any way detrimental to the interests of KCR Racing. Copyright © KCR Racing. All rights reserved.</small>			
<small>Tolerances +/- .005 (0.13) unless noted          Primary units - inches, metric [mm]</small>			
<b>Brushless Wing Car Chassis</b>			
<small>DATE</small> KCL	<small>REV</small> 3/3/2024	<small>BY</small>	<small>APP</small>
	<b>B</b>	<b>KCR-WC1</b>	<small>1 OF 1</small>