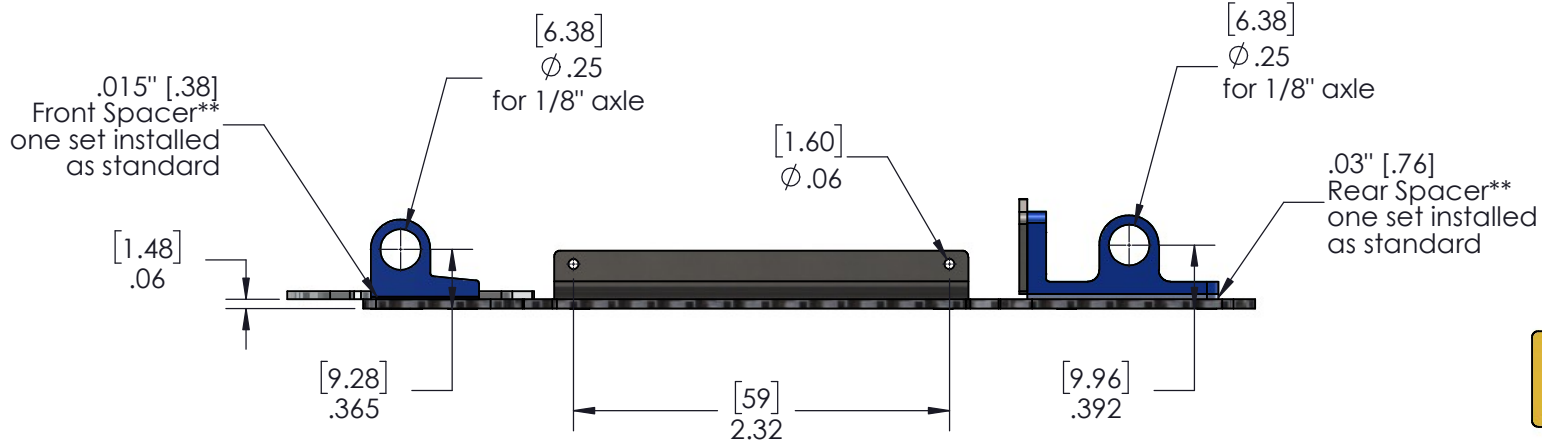


**Chassis as shown - 42.0g**  
36.3g lighter than a brass FCR!



\*\* Axle spacers can be removed or added to change the axle height for various tire sizes.

- OPTIONAL KCR-NCRS .030" [.76] Rear Axle Spacers
- OPTIONAL KCR-GS03 .03" [.76] stainless guide support spacer raises guide support 1.2g each
- OPTIONAL KCR-NCFS .015" [.38] Front Axle Spacers



OPTIONAL KCR-SB .063" [1.6] brass chassis side ballast 5.3g each

|   |         |                         |         |
|---|---------|-------------------------|---------|
| <b>KC RACING</b>  |         | JAMESTOWN, MICHIGAN USA |         |
| The contents of this document are provided on a restricted basis and are not to be used in any way detrimental to the interests of KC Racing. Copyright © KC Racing. All rights reserved. |         |                         |         |
| Tolerances +/- .005 [0.13] unless noted<br>Primary units - inches, metric [mm]  |         |                         |         |
| <b>CarbonX Brushless 4.5" Chassis</b>   |         |                         |         |
| DATE  | REV     | ISSUE                   | VERSION |
| KCL   | 3/23/25 |                         |         |
| DATE  | REV     | ISSUE                   | VERSION |
|   |         |                         |         |
| <b>B KCR-CFR (4.5)</b>  |         |                         | SHEET   |
|   |         |                         | 1 OF 1  |